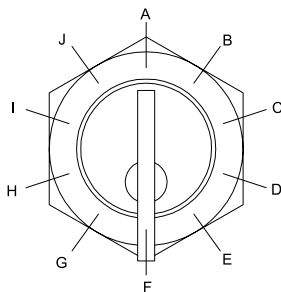
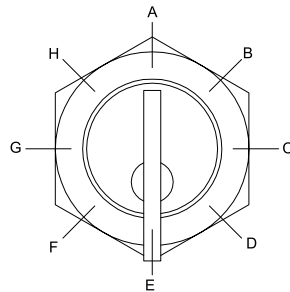


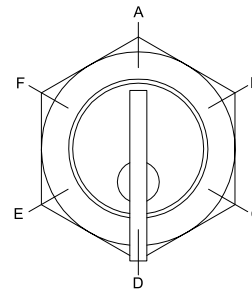
REMOVAL POSITIONS



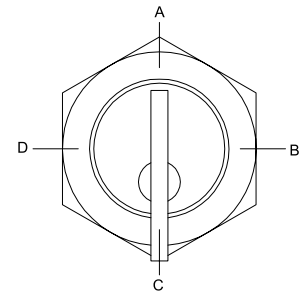
36° INDEXING



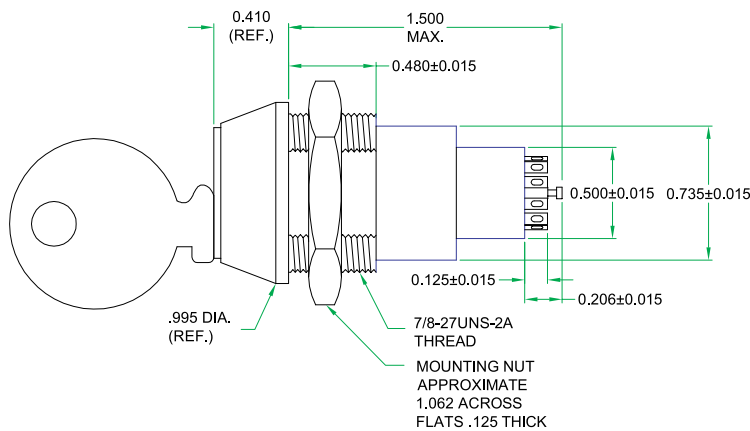
45° INDEXING



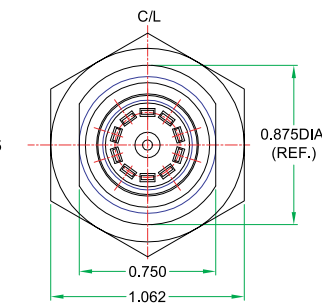
60° INDEXING



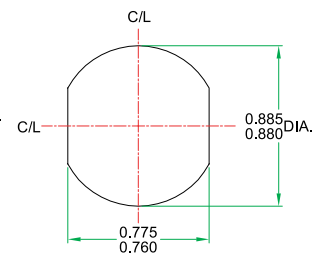
90° INDEXING



SIDE VIEW



REAR VIEW SWITCH SHOWN IN POSITION "A"



SUGGESTED MOUNTING HOLE

Option of Location where Key is Removable
 Position "A" Thru "J" - 36° Indexing.
 Position "A" Thru "H" - 45° Indexing.
 Position "A" Thru "F" - 60° Indexing.
 Position "A" Thru "D" - 90° Indexing.
 The switches are in position #1 when the key in position "A".
NOTE
 Shown switch 36° indexing - 1 Pole - 10 positions.



ORDERING INFORMATION AND NOTES:

How to determine part number

KL1836-106S with keypulls at A, B, D and F

Sample part number for a 1800 Series Switch 36°, indexing, 1 pole, 6 positions per pole, shorting switch with key removals at A, B, D and F positions.

1. The chart below lists the standard available combinations for 36°, 45°, 60° and 90° switches.

ANGLE OF THROW (**)	POSITIONS PER POLE	
	ONE POLE	TWO POLES
36°	2 - 10	2 -5
45°	2 - 8	2 -4
60°	2 - 6	2 -3
90°	2 - 4	2

** Shorting and non-shorting contacts are available in 36° angles of throw; non-shorting contacts only are available in 45°, 60° and 90° angles of throw.

2. When ordering specify KL or MKL as a preface to the COLE basic switch number.
3. All keylock switches are keyed alike unless otherwise specified.
4. Keylock switches are supplied with full circle of terminals regardless of the number of active positions.
5. 10, 8, 6, 4 positions switches, 36°, 45°, 60° and 90°, angle of throw, respectively, are continuous rotations unless otherwise specified.

