



THE COLE SERIES S3900  
MINIATURE SOLDER-LUG  
TERMINATION ROTARY SWITCH  
IS DESIGNED TO PROVIDE  
THE ULTIMATE MECHANICAL  
AND ELECTRICAL RELIABILITY  
IN INSTRUMENTATION,  
INDUSTRIAL CONTROLS,  
MEDICAL EQUIPMENT, AIRCRAFT,  
COMPUTERS, COMMUNICATION,  
WEAPONS, AND GROUND  
SUPPORT ELECTRONIC  
EQUIPMENT.



The S3900 Series meets or exceeds applicable requirements of MIL-DTL-3786/39 Style SR39.

Certified test reports available on request.

## The Innovative Switch Company

This precision switch is designed for high and low level switching, engineered to meet the requirements of MIL-DTL-3786 and tested per MIL-STD-202 as follows:

- THERMAL SHOCK PER MIL-STD-202; METHOD 107, TEST CONDITION "B"
- VIBRATION PER MIL-STD-202; METHOD 204, TEST CONDITION "B"
- MEDIUM SHOCK PER MIL-STD-202; METHOD 213
- HIGH SHOCK PER MIL-STD-202; METHOD 207
- MOISTURE RESISTANCE PER MIL-STD-202; METHOD 106
- EXPLOSION PROOF PER MIL-STD-202; METHOD 109
- SALT SPRAY PER MIL-STD-202; METHOD 101, CONDITION "B"

The Series S3900 is available with 30°, 36°, 45°, 60°, and 90° indexing and one to six poles per deck. Self cleaning contacts are ideal for low level switching and offer low contact resistance through the life of the switch (25,000 cycles minimum).

A hardened steel sprocket and ball bearing detent mechanism provides smooth positive detent action and mechanical life in excess of 100,000 cycles.

Cole's unique terminal design and sealing technique prevents flux contamination during wave soldering and cleaning processes. Internal plastic parts are made of fiber filled plastic to prevent degrading and interior contamination by plastic dust.

## S3900 SERIES

### Miniature Multi-Deck Solder-Lug Rotary Switches

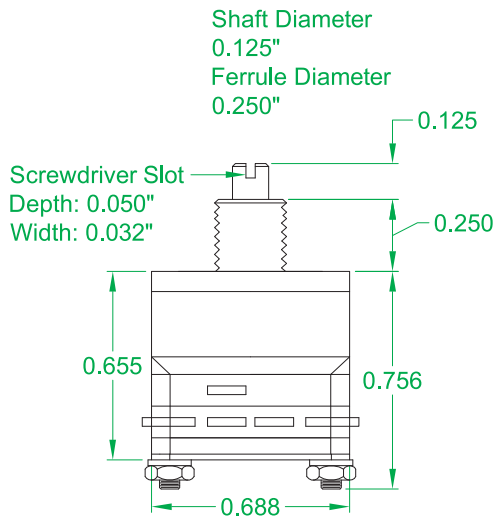
Finally, superior construction, in a clean room environment, ensures ultimate performance and reliability from the Cole Series S3900 rotary switch.

The full QPL'd MIL switch is commercially available, as are all these configurations:

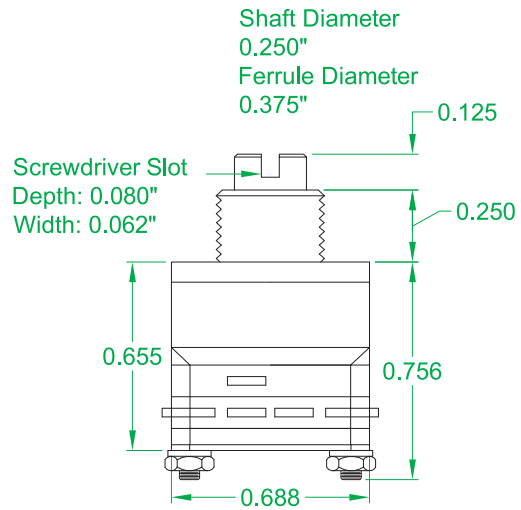
- Shaft dia .125" ferrule dia .250" screwdriver (page 3)
- Shaft dia .250" ferrule dia .375" screwdriver (page 4)
- Shaft dia .125" ferrule dia .250" (page 3)
- Shaft dia .250" ferrule dia .375" (page 4)
- Concentric Shaft (page 7)
- Add-A-Potentiometer (page 8)

# S3900 SERIES

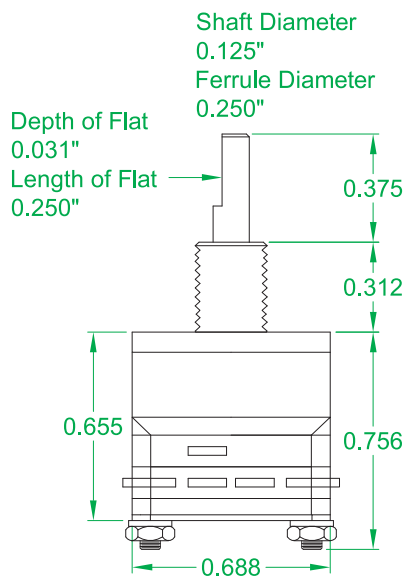
## Miniature Multi-Deck Solder-Lug Rotary Switches



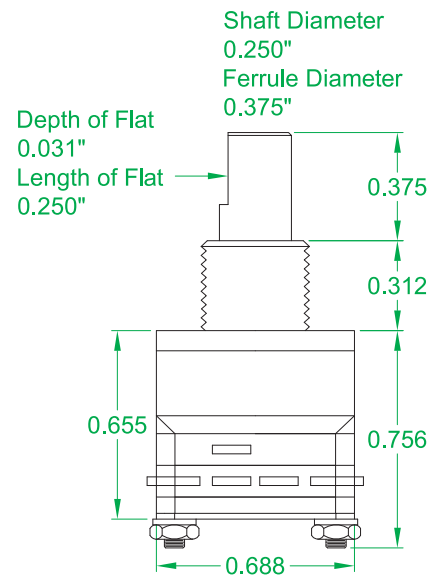
S3900 Screwdriver – .125 Shaft Diameter  
(See Page 3)



S3900 Screwdriver – .250 Shaft Diameter  
(See Page 4)



S3900 Standard – .125 Shaft Diameter  
(See Page 3)



S3900 Standard – .250 Shaft Diameter  
(See Page 4)

### NOTES:

S3900 Standard – .125 Shaft Dia., .250 Ferrule Dia., .688 Body Dia., (See Page 3).

S3900 Screwdriver – .125 Shaft Dia., .250 Ferrule Dia., .688 Body Dia., (See Page 3).

S3900 Standard – .250 Shaft Dia., .375 Ferrule Dia., .688 Body Dia., Panel Seal, (See Page 4).

S3900 Screwdriver – .250 Shaft Dia., .375 Ferrule Dia., .688 Body Dia., Panel Seal, (See Page 4).



**COLE**  
INSTRUMENT CORP.

2650 South Croddy Way  
P.O. Box 25063  
Santa Ana, CA 92799-5063

Phone: 714.556.3100  
Fax: 714.241.9061  
Email: sales@cole-switches.com

[www.cole-switches.com](http://www.cole-switches.com)

AS9100 CERTIFIED

©2020 Cole Instrument Corp. All rights reserved. G-061322

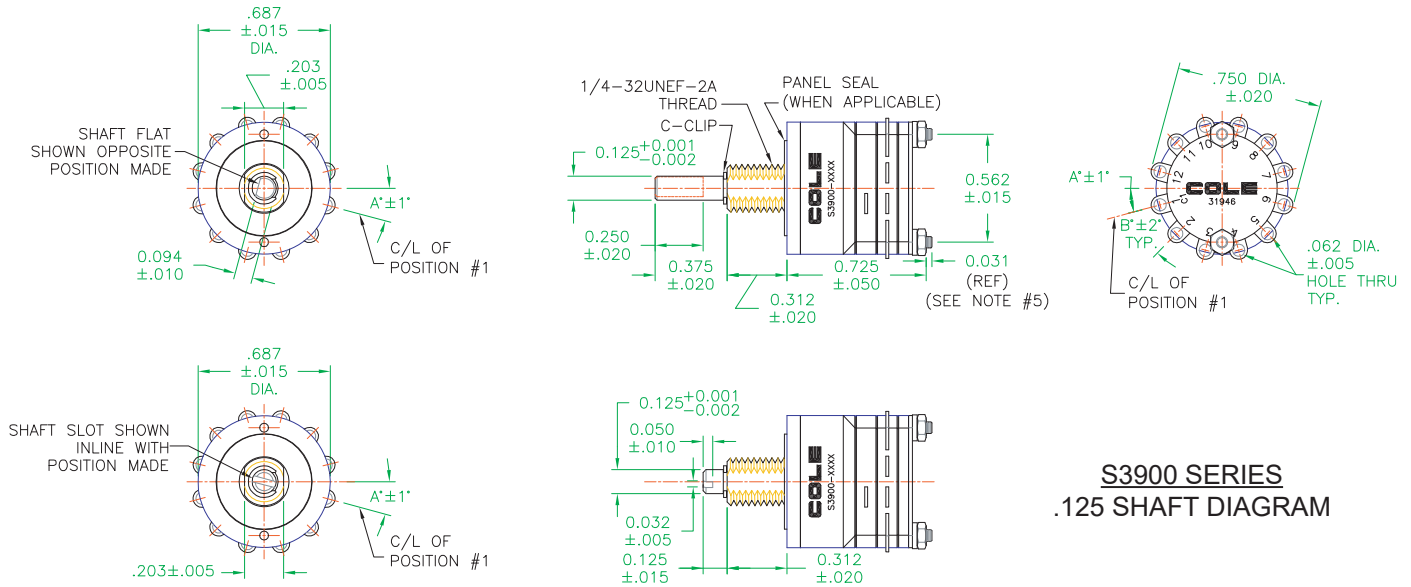
PAGE  
2

# S3900 SERIES

## Miniature Multi-Deck Solder-Lug Rotary Switches

### S3900 SERIES FEATURES:

- Flux contamination free.
- MIL-DTL-3786 Qualified.
- 1 Amp. power switching.
- 100,000 plus operation life cycle.
- Ball bearing-smooth detent indexing.
- Constant low contact resistance.
- Rugged, high impact construction.



**S3900 SERIES**  
**.125 SHAFT DIAGRAM**

**TABLE 1**

INDEX	A° ± 1°	B° ± 2°	Number of Positions	Number of Poles	Number of Decks
30°	15°	30°	12	1-2-3-4-6	1 Deck to 12 Decks Maximum (See Note Number 6)
36°	36°	36°	10	1-2	
45°	22°30'	45°	08	1-2-4	
60°	15°	60°	06	1-2-3	
90°	22°30'	90°	04	1-2	

### NOTES

1. Dimensions are in inches.
2. Unless otherwise specified, tolerances are ±.005 and ±2° on angles (Non-accumulative).
3. Shaft flat opposite position being made.
4. Add .220 to the length for each additional deck.
5. For switches with more than 5 decks the stud projection is .312 plus.
6. If more than 12 decks or 48 poles are required, contact the factory.
7. Switches are provided with full circle of terminals, regardless of the number of active positions.
8. A .432 dimension, non-turn washer is available for .250 shaft dia. upon request.



**COLE**  
INSTRUMENT CORP.

2650 South Croddy Way  
P.O. Box 25063  
Santa Ana, CA 92799-5063

Phone: 714.556.3100  
Fax: 714.241.9061  
Email: sales@cole-switches.com

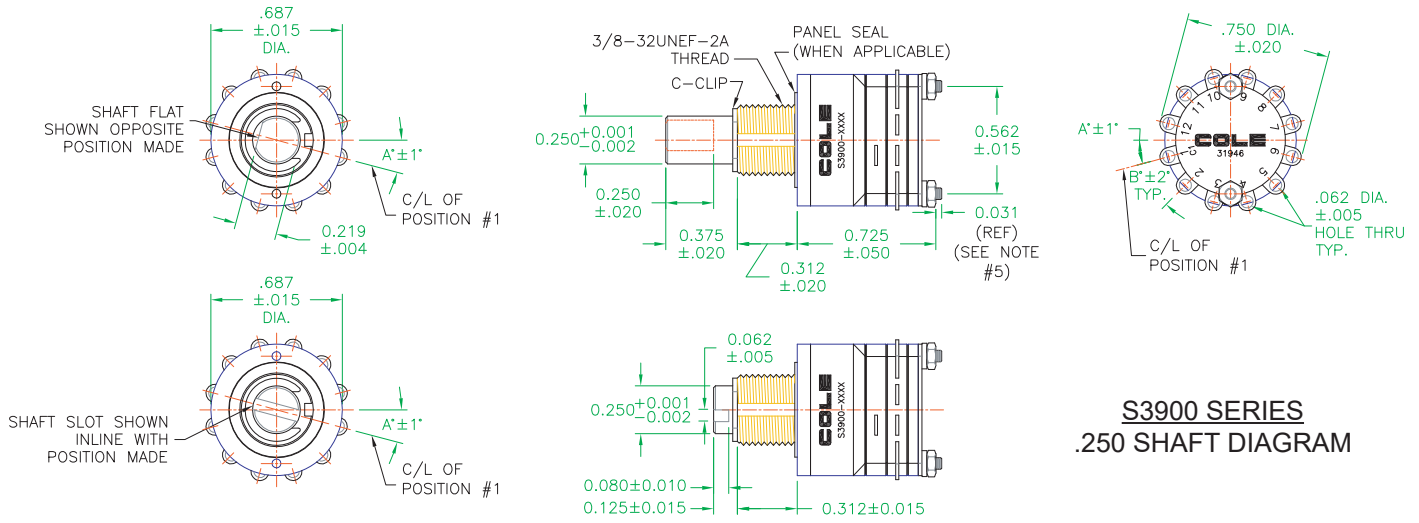
[www.cole-switches.com](http://www.cole-switches.com)

AS9100 CERTIFIED

©2020 Cole Instrument Corp. All rights reserved. G-061322

# S3900 SERIES

## Miniature Multi-Deck Solder-Lug Rotary Switches



**S3900 SERIES  
250 SHAFT DIAGRAM**

### NOTES

1. Dimensions are in inches.
2. Unless otherwise specified, tolerances are  $\pm 0.005$  and  $\pm 2^\circ$  on angles (Non-accumulative).
3. Shaft flat opposite position being made.
4. Add .220 to the length for each additional deck.
5. For switches with more than 5 decks the stud projection is .312 plus.
6. If more than 12 decks or 48 poles are required, contact the factory.
7. Switches are provided with full circle of terminals, regardless of the number of active positions.
8. A .432 dimension, non-turn washer is available for .250 shaft dia. upon request.

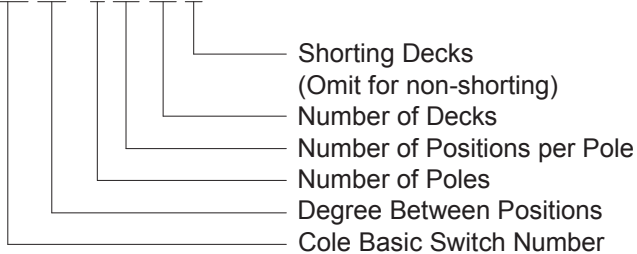
### ORDERING INFORMATION

#### MULTIDECK SWITCHES

Add the total number of deck required as a dash No. after the part number.

#### SAMPLE CODE

S39 45 - 2 04 03 S



Switch shown in the sample code is 45° indexing, 2 pole per deck, 4 positions per pole, 3 decks, with shorting type contacts.  
Can be ordered as QPL Part No. M3786/39-XXX

### OPTIONS

The following options can be added to the standard switch. When ordering, simply add the letters after the basic part number. Options listed in alphabetical order only.

- A = Adjustable stops.
- F = Fixed stop between the first and last position on when maximum switch positions are selected.
- G = RFI-EMI shielding.
- P = Panel and shaft seals.
- Q = 1/4 dia. Shaft (Omit for 1/8 Dia. Shaft)
- S = Shorting type switch. (Available in all configurations. Omit for non-shorting).
- SD = Screwdriver slot.
- T = Pre-Tinned Terminals.
- Y = Optional .432 Non-Turn Washer.
- Z = Mounting Bushing Washer.

While ordering information is provided, we encourage you to contact Cole for assistance creating a part number.



**COLE**  
INSTRUMENT CORP.

2650 South Croddy Way  
P.O. Box 25063  
Santa Ana, CA 92799-5063  
Phone: 714.556.3100  
Fax: 714.241.9061  
Email: sales@cole-switches.com

[www.cole-switches.com](http://www.cole-switches.com)

AS9100 CERTIFIED

©2020 Cole Instrument Corp. All rights reserved. G-061322

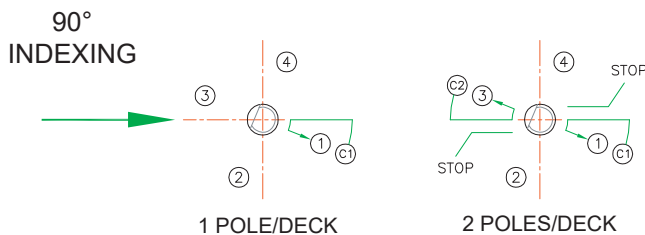
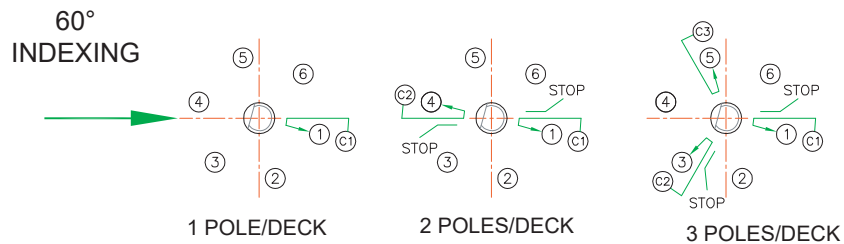
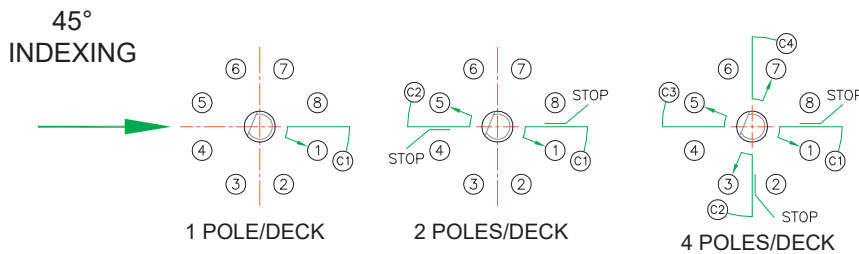
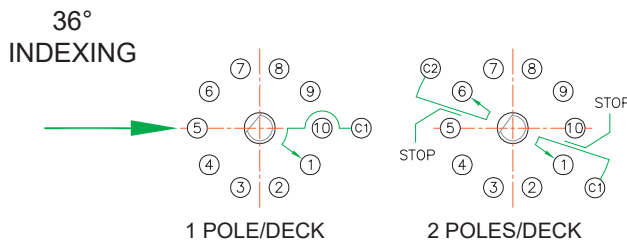
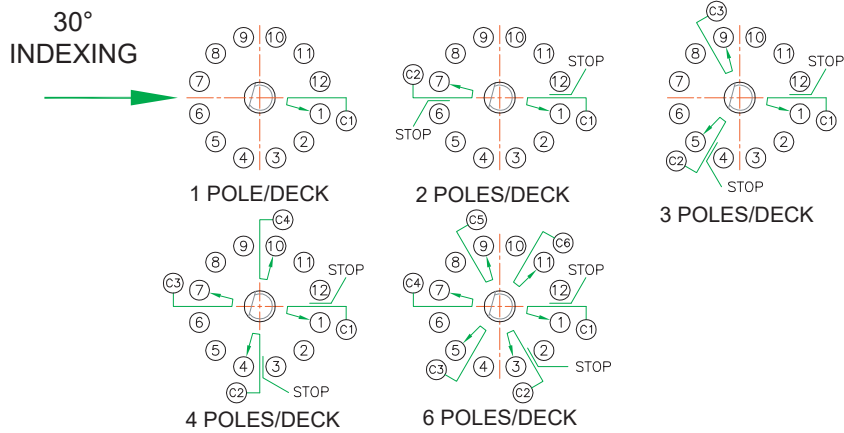
PAGE  
4

# S3900 SERIES

## Miniature Multi-Deck Solder-Lug Rotary Switches

### S3900 Series – Typical Features

#### SCHEMATIC DIAGRAM (VIEWED FROM SHAFT END AND SHOWN IN POSITION #1)



**COLE**  
INSTRUMENT CORP.

2650 South Croddy Way      Phone: 714.556.3100  
P.O. Box 25063      Fax: 714.241.9061  
Santa Ana, CA 92799-5063      Email: sales@cole-switches.com

[www.cole-switches.com](http://www.cole-switches.com)

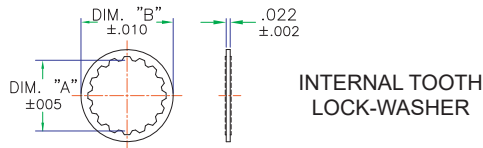
AS9100 CERTIFIED

©2020 Cole Instrument Corp. All rights reserved. G-061322

# S3900 SERIES

## Miniature Multi-Deck Solder-Lug Rotary Switches

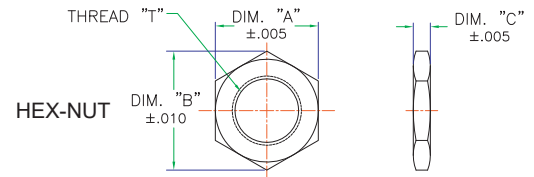
### Typical Features



INTERNAL TOOTH  
LOCK-WASHER

FERRULE SIZE	DIM. "A"	DIM. "B"	DIM. "C"
1/4	.262	.402	.018
3/8	.384	.500	.022

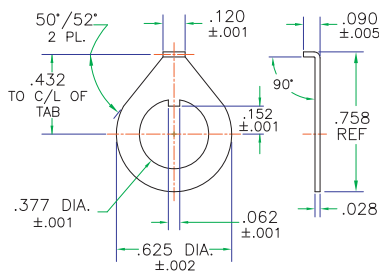
MOUNTING BUSHING WASHER  
3/8 FERRULE SIZE



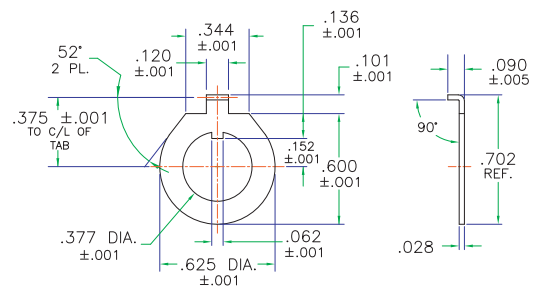
HEX-NUT

FERRULE SIZE	DIM. "A"	DIM. "B"	DIM. "C"	THREAD SIZE	MIL-SPEC.
1/4	.306	.352	.078	1/4-32 UNEF-2B	25082-C13
3/8	.558	.640	.093	3/8-32 UNEF-2B	25082-C20

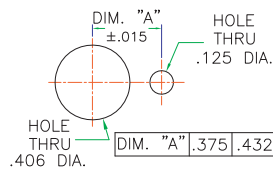
MOUNTING BUSHING WASHER  
1/4 FERRULE SIZE



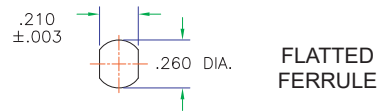
KEY WASHERS  
3/8 FERRULE SIZE



KEY WASHERS  
1/4 FERRULE SIZE

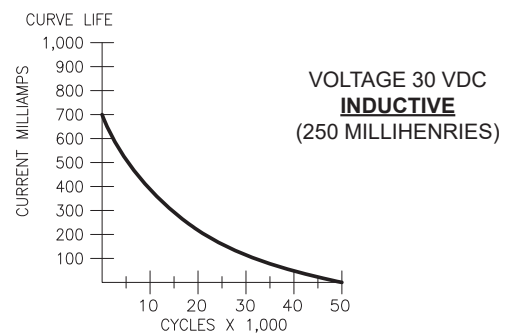
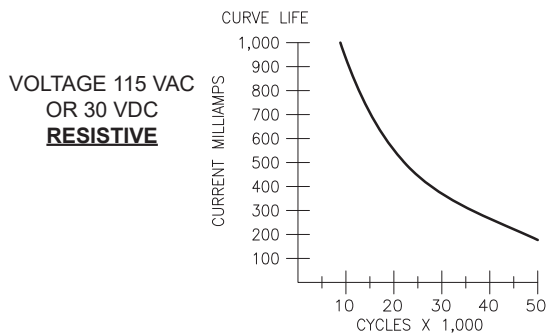


RECOMMENDED PANEL CUTOUT  
3/8 FERRULE SIZE



RECOMMENDED PANEL CUTOUT  
1/4 FERRULE SIZE

### Life Expectancy



Data determined from life tests at 25°C, 68% relative humidity at sea level. One cycle is a rotation of 360° and back to position 1. Based on life-limiting criteria specified in Technical Data.



**COLE**  
INSTRUMENT CORP.

2650 South Croddy Way  
P.O. Box 25063  
Santa Ana, CA 92799-5063  
Phone: 714.556.3100  
Fax: 714.241.9061  
Email: sales@cole-switches.com

[www.cole-switches.com](http://www.cole-switches.com)

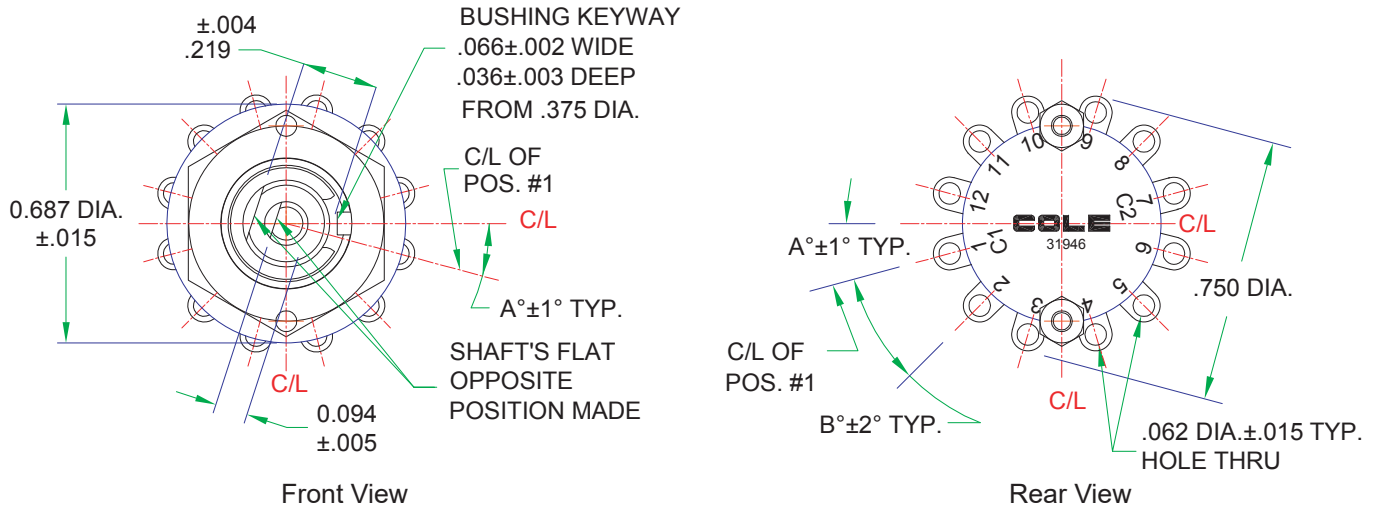
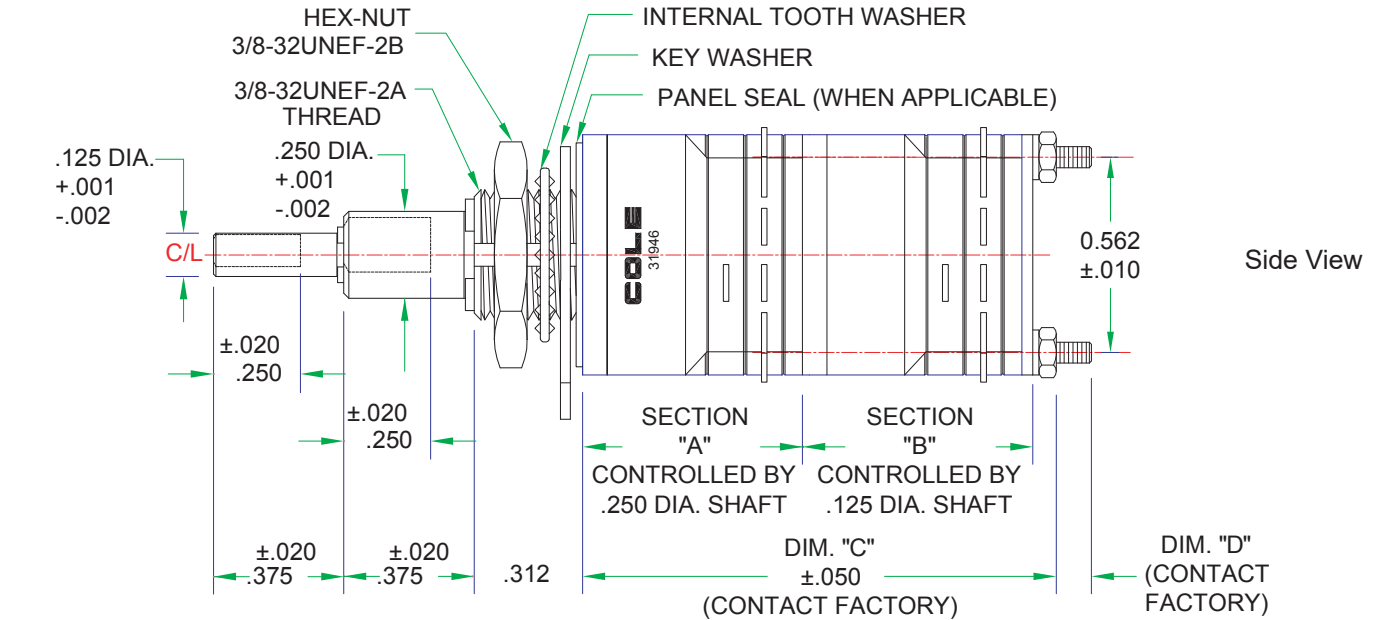
AS9100 CERTIFIED

©2020 Cole Instrument Corp. All rights reserved. G-061322

# S3900 SERIES

## Miniature Multi-Deck Solder-Lug Rotary Switches

### S3900 Special – Concentric Shaft



INDEX	A° ± 1°	B° ± 2°	Number of Positions	Number of Poles	Number of Decks
30°	15°	30°	12	1-2-3-4-6	1 Deck to 12 Decks Maximum (Contact Factory if more than 12 Decks)
36°	36°	36°	10	1-2	
45°	22°30'	45°	08	1-2-4	
60°	15°	60°	06	1-2-3	
90°	22°30'	90°	04	1-2	



**COLE**  
INSTRUMENT CORP.

2650 South Croddy Way  
P.O. Box 25063  
Santa Ana, CA 92799-5063

Phone: 714.556.3100  
Fax: 714.241.9061  
Email: sales@cole-switches.com

[www.cole-switches.com](http://www.cole-switches.com)

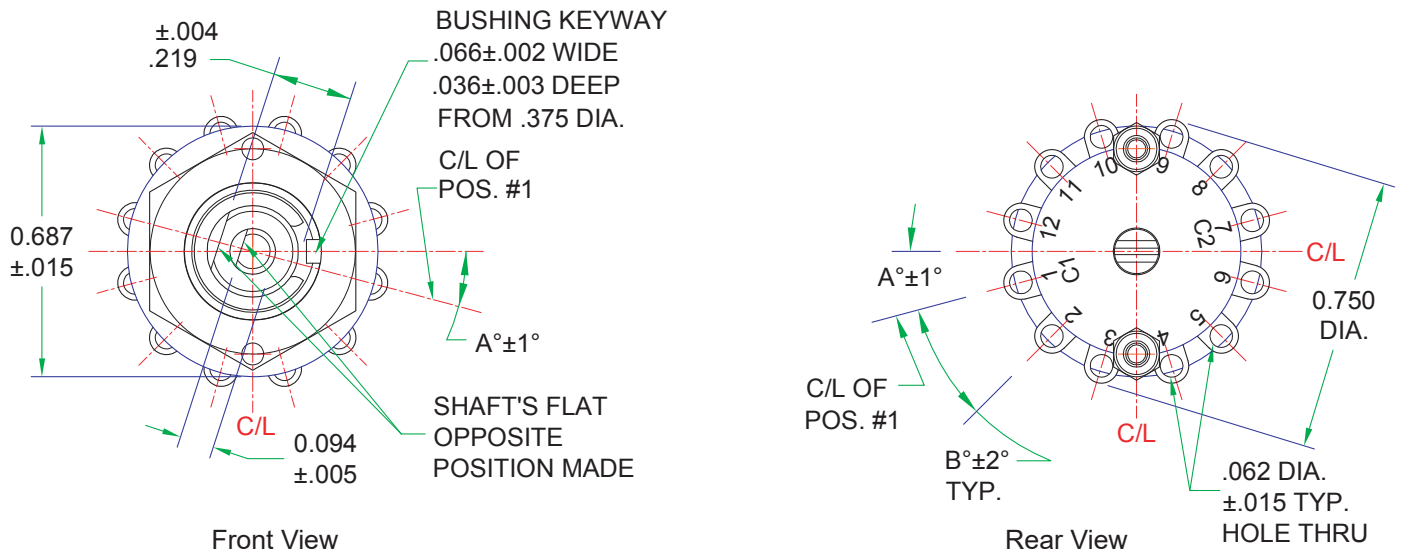
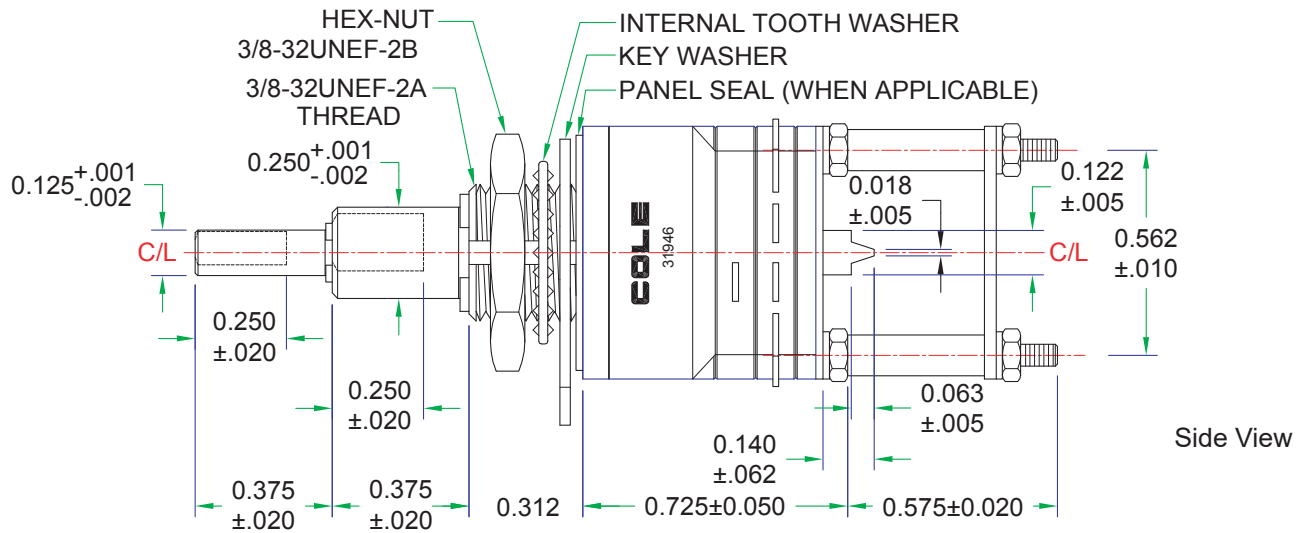
AS9100 CERTIFIED

©2020 Cole Instrument Corp. All rights reserved. G-061322

# S3900 SERIES

## Miniature Multi-Deck Solder-Lug Rotary Switches

### S3900 Special – Add-a-Pot



INDEX	A° ± 1°	B° ± 2°	Number of Positions	Number of Poles	Number of Decks
30°	15°	30°	12	1-2-3-4-6	1 Deck to 12 Decks Maximum (Contact Factory if more than 12 Decks)
36°	36°	36°	10	1-2	
45°	22°30'	45°	08	1-2-4	
60°	15°	60°	06	1-2-3	
90°	22°30'	90°	04	1-2	



**COLE**  
INSTRUMENT CORP.

2650 South Croddy Way  
P.O. Box 25063  
Santa Ana, CA 92799-5063

Phone: 714.556.3100  
Fax: 714.241.9061  
Email: sales@cole-switches.com

[www.cole-switches.com](http://www.cole-switches.com)

AS9100 CERTIFIED

©2020 Cole Instrument Corp. All rights reserved. G-061322

PAGE  
8



# S3900 SERIES

## Miniature Multi-Deck Solder-Lug Rotary Switches

### Series S3900 Technical Data

Specification	Unit	Value	Note:
Military Specifications		MIL-DTL-3786/39	
Continuous (Non-Switching) Current Carrying Capacity	Amps	6	at 28 VDC, with max. contact temperature rise of 20°C
Switching Current Capacity at 28 VDC resistive	Amps	1	at Atmospheric pressure with 85°C and at reduced Barometric pressure with 25°C
Switching Current Capacity at 115 VAC resistive	Amps	1	
Switching Current Capacity at 28 VDC inductive (2.8 H.)	Amps	0.500	
Switching Current Capacity at 28 VDC Lamp Load	Amps	0.5	
Low Level max. capacity	mA	10	at 30 millivolts DC max.
Dielectric Strength, min.	VRMS	750	
Contact resistance, max. (initial)	milliohms (mΩ)	20	
Contact resistance, max. (after life)	milliohms (mΩ)	50	
Insulation resistance, min. (initial)	megaohms (MΩ)	100,000	at 100 VDC
Insulation resistance, min. (after life)	megaohms (MΩ)	50,000	at 100 VDC
Switching Life	cycles	25,000	at rated loads, sea-level, 25°C, 68% relative humidity
Mechanical Life	cycles	100,000	
Rotational Torque, min.	inch ounces	8	
Rotational Torque, max.	inch ounces	32	
Stop Strength, max.	inch pounds	10	
Mounting Ferrule Strength	inch pounds	10	
Withstanding Shaft Push Force	pounds	150	
Weight	grams	14	
Molded Parts		thermoplastic	
Contact Surfaces		Gold plated	
Altitude	feet	80,000	typical pressure at 80,000 feet: 0.4 psi
Temperature, min.	degrees Celsius	-55	
Temperature, max.	degrees Celsius	125	
Vibration Tested		Meets	Per MIL-DTL-3786, MIL-STD-202, Method 204, test condition "B", vibration grade 3
Impact Shock, Medium		Meets	MIL-STD 202; Method 213
Impact Shock, High		Meets	at 100g, MIL-STD 202, Method 207
Moisture Resistant		Meets	MIL-STD 202; Method 106
Salt Spray Resistant		Meets	MIL-STD 202, Method 101, Condition "B"
Explosion Proof		Meets	MIL-STD 202, Method 109
Immersion		No	
EMI/RFI		Meets	MIL-DTL-3786, 2 ohms Shaft to ground max.
Maximum total contacts on all decks		48	